

Manual of the Baader Digiscoping Adapter MicroStage II



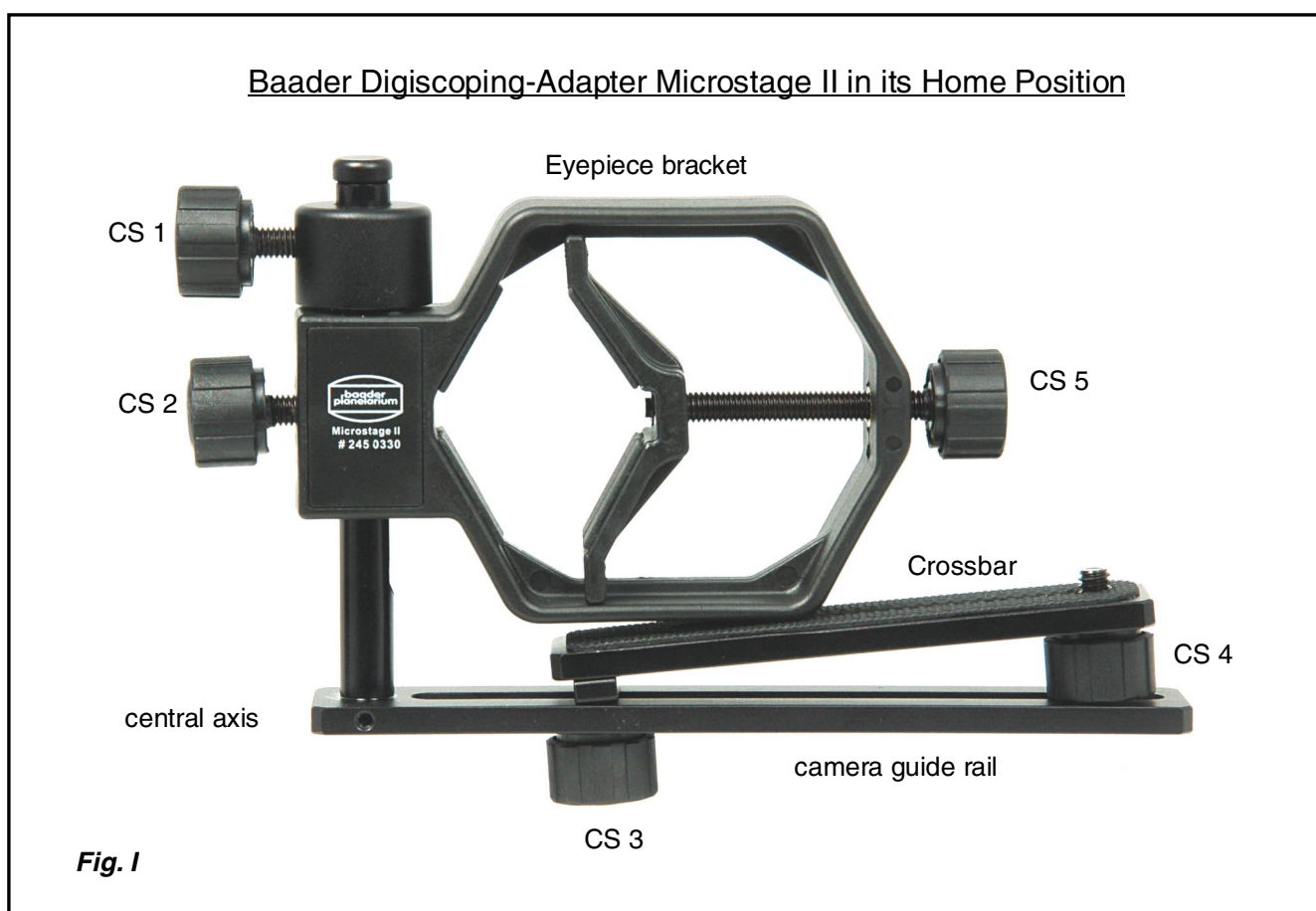
– # 2450330 –

Take your Baader Digiscoping-Adapter MicroStage II out of its protective cover.

The Baader Digiscoping-Adapter MicroStage II is delivered in home position, as in picture I. This is best for storage as the Digiscoping-Adapter MicroStage II uses the least space in this position.

To get your MicroStage II ready for use, please proceed as follows:

The clamp screws (CS), which are part of the process, are numbered in each picture.



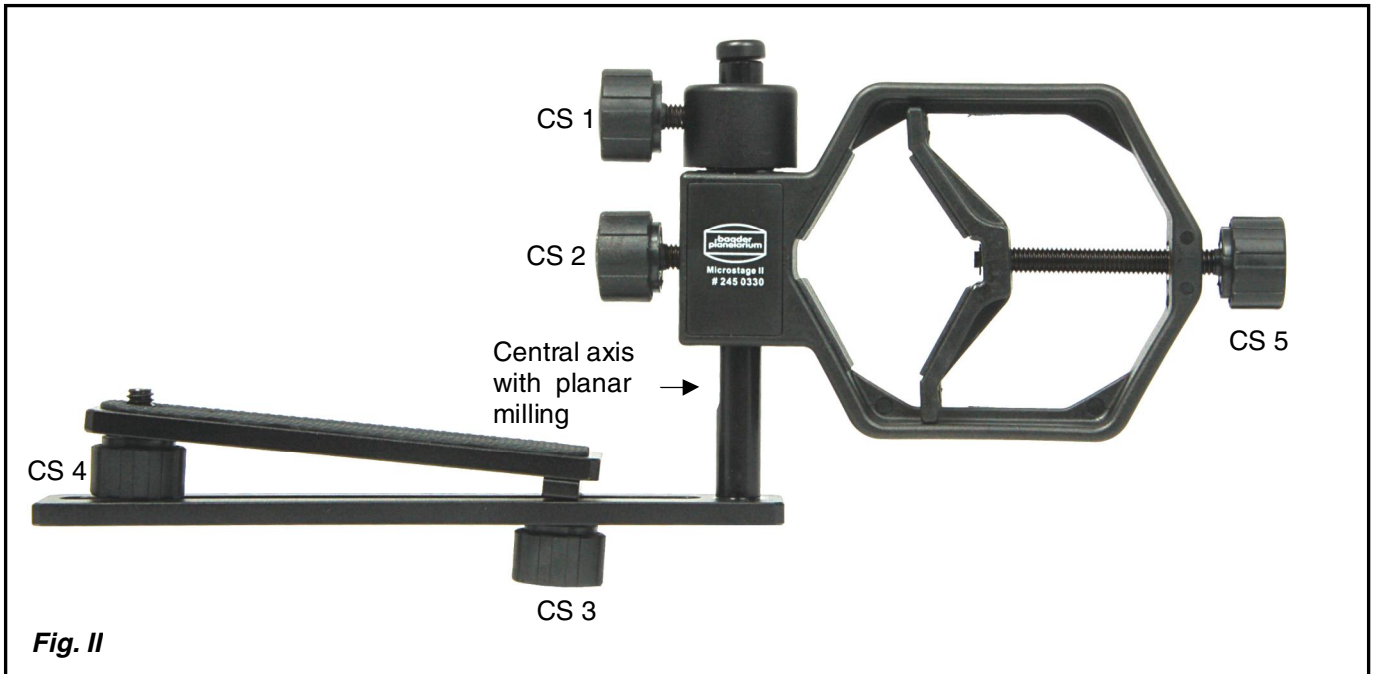
First, open clamp screws 1 and 2 – as in Figure I.

© 2013 by

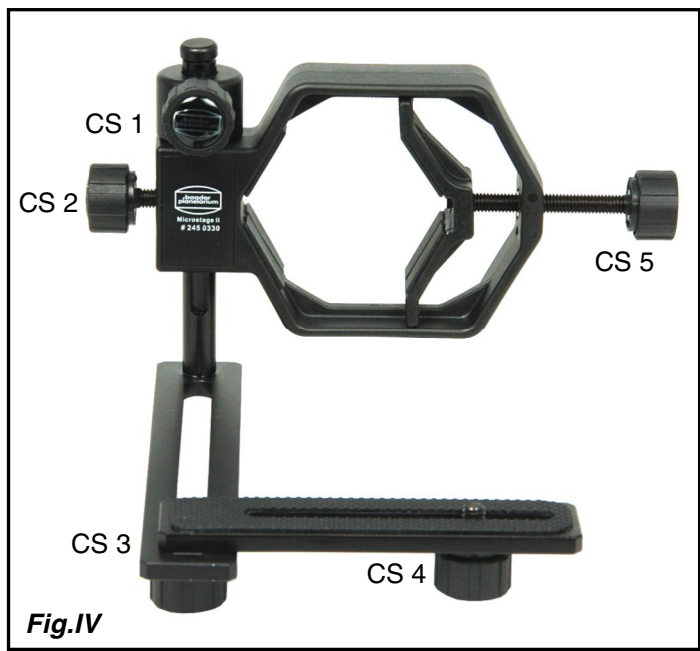
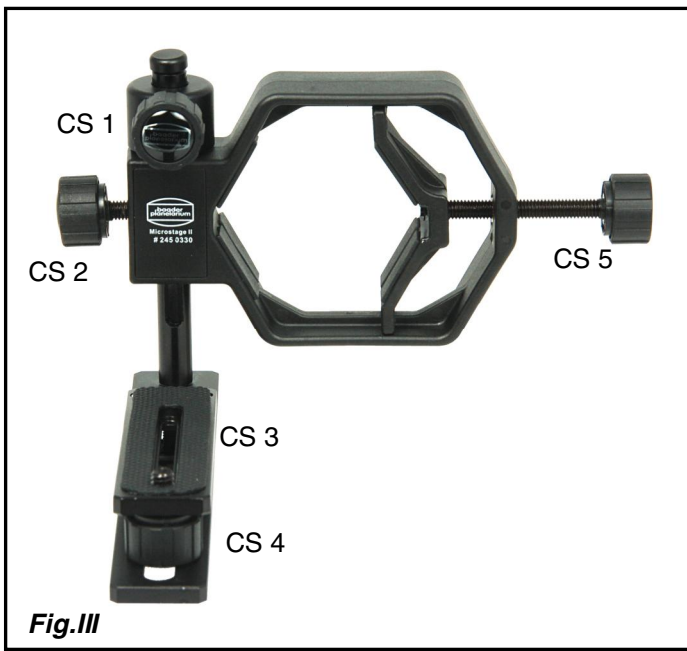


BAADER PLANETARIUM

Zur Sternwarte • D-82291 Mammendorf • Tel. +49 (0) 81 45 / 8089-0 • Fax +49 (0) 81 45 / 8089-105
Baader-Planetarium.de • kontakt@baader-planetarium.de • Celestron-Deutschland.de



Next, turn the camera guide rail together with the crossbar by 180 degrees to the back and the side – as in Figure II – and lock the rail in this position by squarely tightening clamp screw 1. In doing so take care that the pressure point of clamp screw 1 presses onto the planar milling on the central axis – as in Figure II. Clamp screw 2 remains open.



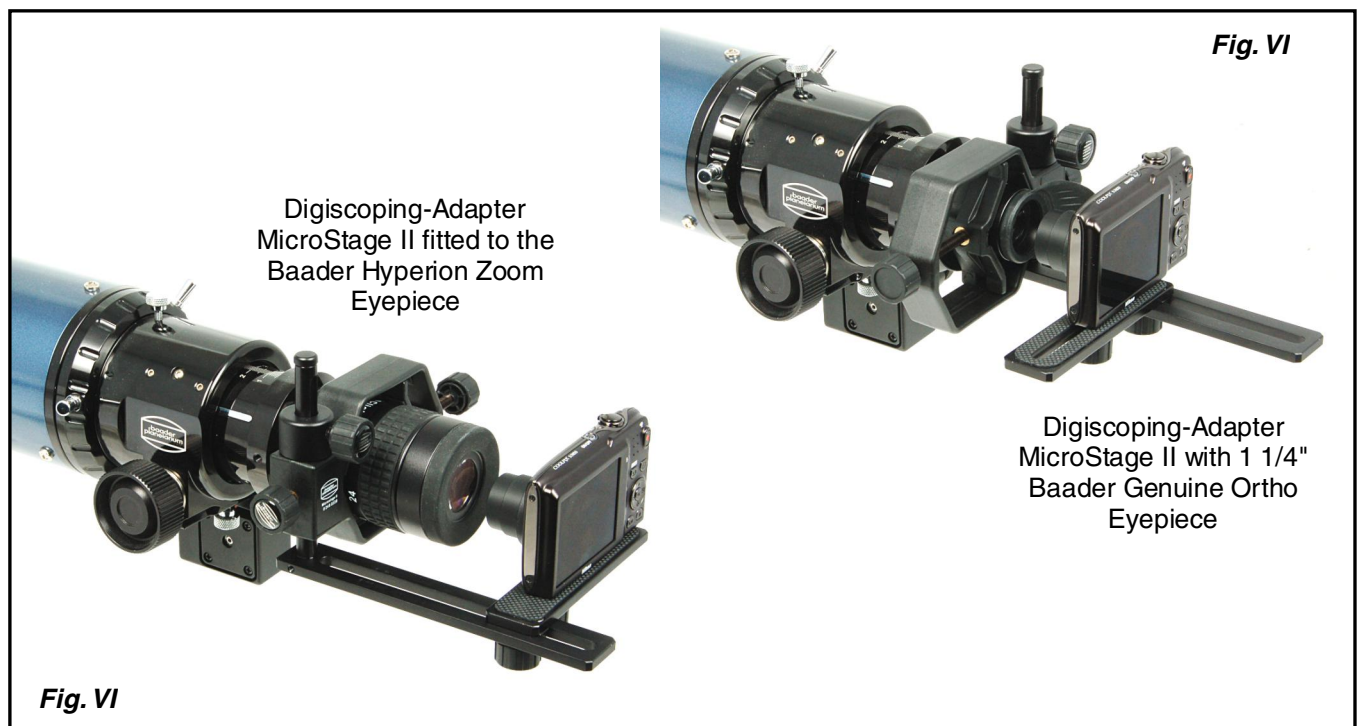
With CS2 still open, continue by turning the camera guide rail together with the crossbar by 90 degrees to the front. The support rail has to click softly into place twice until it is positioned in an open 90° angle to the eyepiece bracket – as in Figure III. Clamp screw 2 may now be tightened as well.

Now open clamp screw 3, ease the crossbar into the position shown in Figure IV and tighten clamp screw 3 again.

Baader Digiscoping-Adapter MicroStage II is now in its working position and ready to carry your camera.



Attach your camera to the camera bracket with clamp screw 4 – as shown in Figure V.

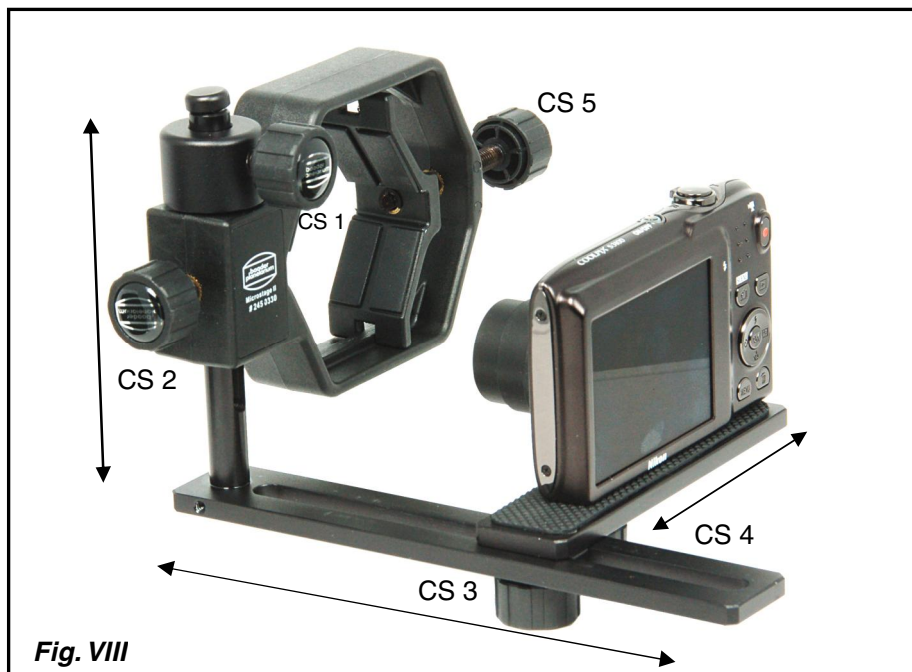


Using clamp screw 5, your Baader Digiscoping-Adapter MicroStage II can now be fitted to almost any eyepiece – be it a large 2" wideangle eyepiece or a small 1 1/4" eyepiece as in Figures VI and VII. Depending on the position of the Camera thread, you might need to invert the MicroStage.

By alternately loosening rotary knobs 1, 2, 3 and 4 – as in Figure VIII – you can position your camera in front of the eyepiece in such a way that the optical axis of the eyepiece corresponds with that of the camera lens and the display detail you are aiming at appears on the display or in the viewfinder.

Clamp screws 1 and 2 are for adjusting height, clamp screw 3 is for distance and clamp screw 4 for the left/right adjustment of the camera casing.

Tighten clamp screws 1, 2, 3 and 4 when you have found the detail you are looking for.



To centre and focus the targeted object in the telescope, swivel the camera away from the eyepiece, as shown in Figures IX and X. To do so, loosen rotary knob 2 and turn the camera bracket slightly to the left.



The resting points are particularly helpful. They also ensure that the camera can be brought back into the exact same position in front of the eyepiece.

Once you have taken your pictures with the Baader Digiscoping-Adapter MicroStage II, you put it back into its home position and store it away in the space-saving soft leather pouch.